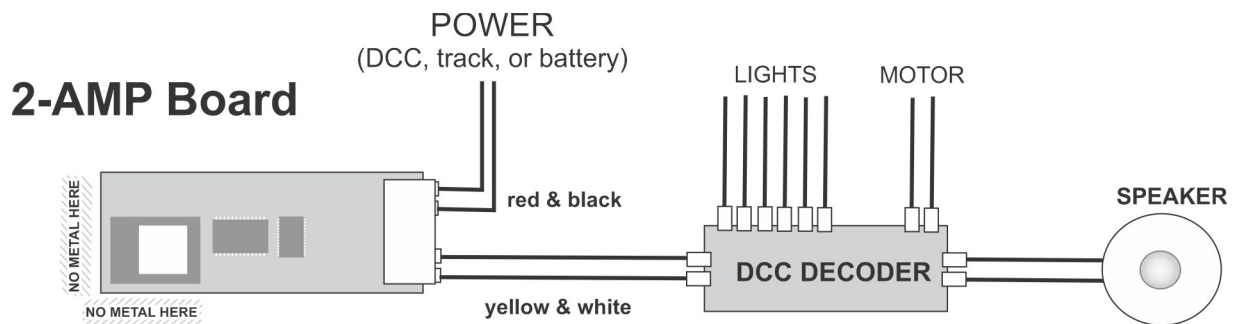
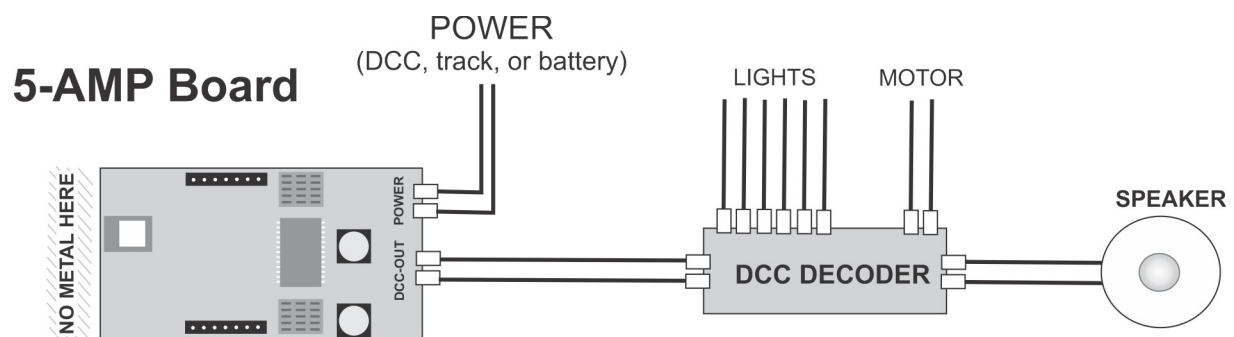


BlueRailDCC by Tam Valley

Instructions for DCC Installation

PLEASE READ USERGUIDE AT BLUERAILTRAINS.COM PRIOR TO INSTALLING

INSTALLATION: Controlling DCC decoders involves 4 wires: 2 wires provide power to the BlueRailDCC board (any polarity) and 2 “DCC Out” wires from the BlueRailDCC board provide power to your DCC decoder.



DECODER ADDRESS MUST BE 3

At present the BlueRailDCC app expects your decoder to be set to address 3. If your decoder has an address other than 3, we recommend you use a standard DCC programmer to set the address to 3 prior to installing the BlueRailDCC board.

For product support, please post questions at <http://Groups.io/g/BlueRailDCC> under one of the following threads:

ADMIN - Software(app) Tech Support Questions

ADMIN - Hardware Tech Support Questions